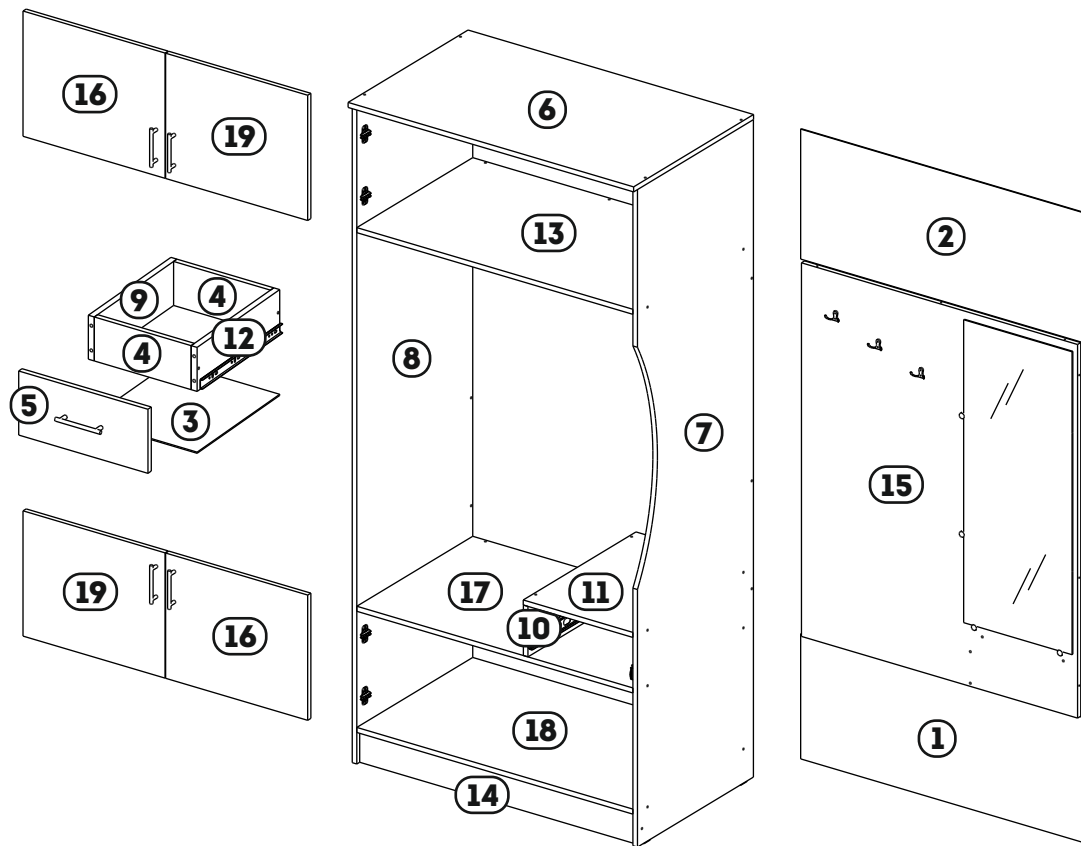
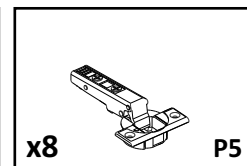
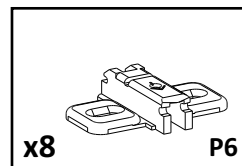
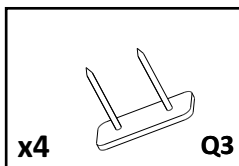
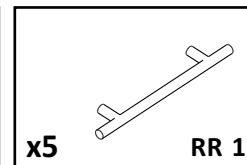
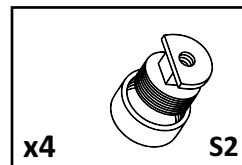
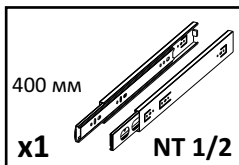
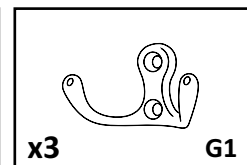
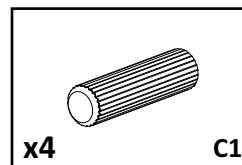
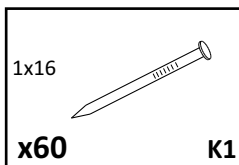
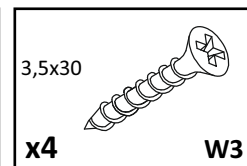
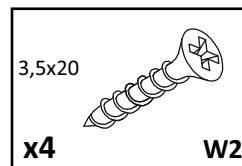
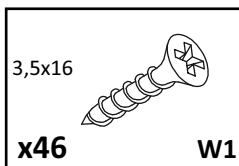
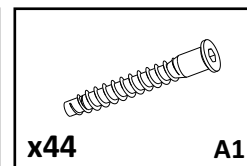
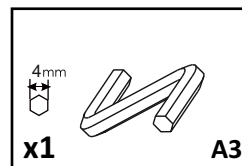
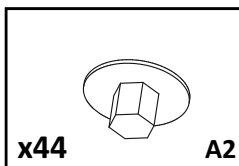


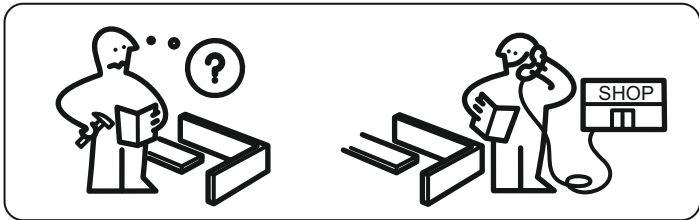
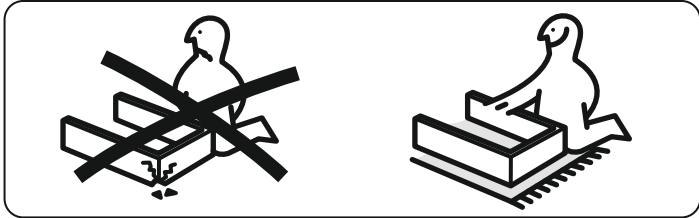
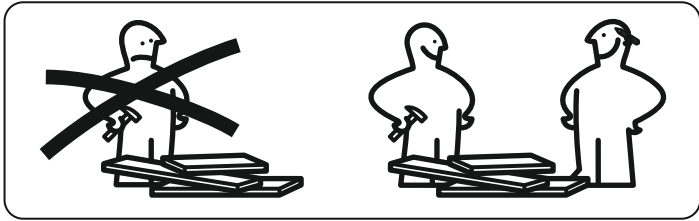
B-2

(2100×1000×600)



No	a*b	X
1	396x996	1
2	412x996	1
3	342x450	1
4	120x310	2
5	170x397	1
6	1001x600	1
7	2084x580	1
8	2084x580	1
9	120x450	1
10	160x564	1
11	384x564	1
12	120x450	1
13	968x580	1
14	968x100	1
15	1184x968	1
16	397x498	2
17	968x580	1
18	968x580	1
19	397x498	2

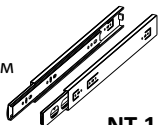




**1**

400 mm

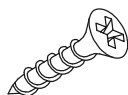
x1



NT 1

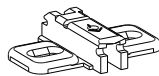
3,5x16

x20



W1

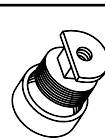
x8



P6

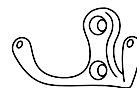
**2**

x4

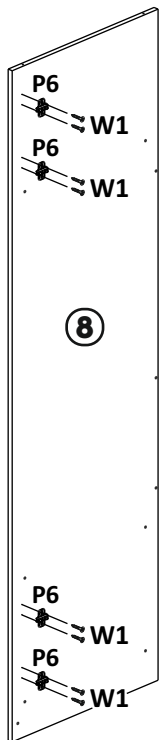


S2

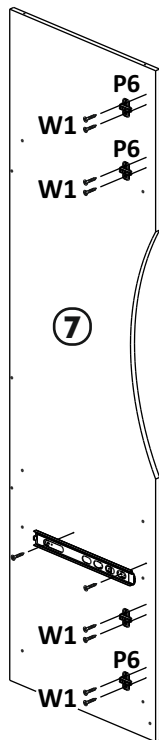
x3



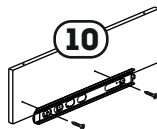
G1



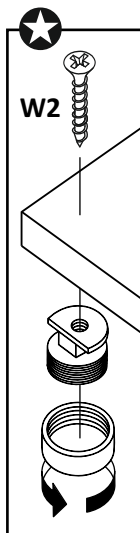
8



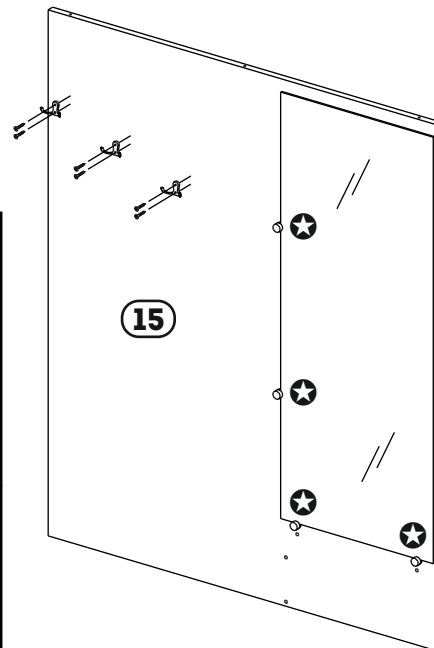
7



10

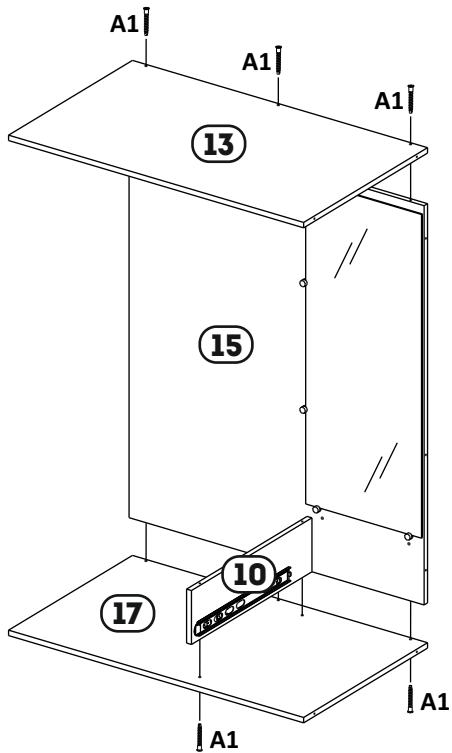
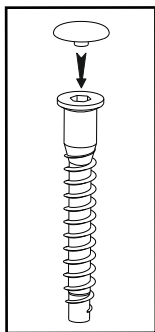
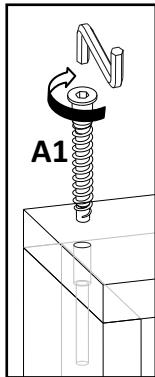
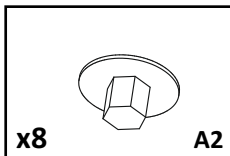
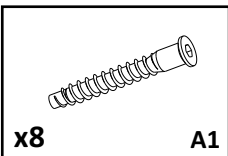


W2

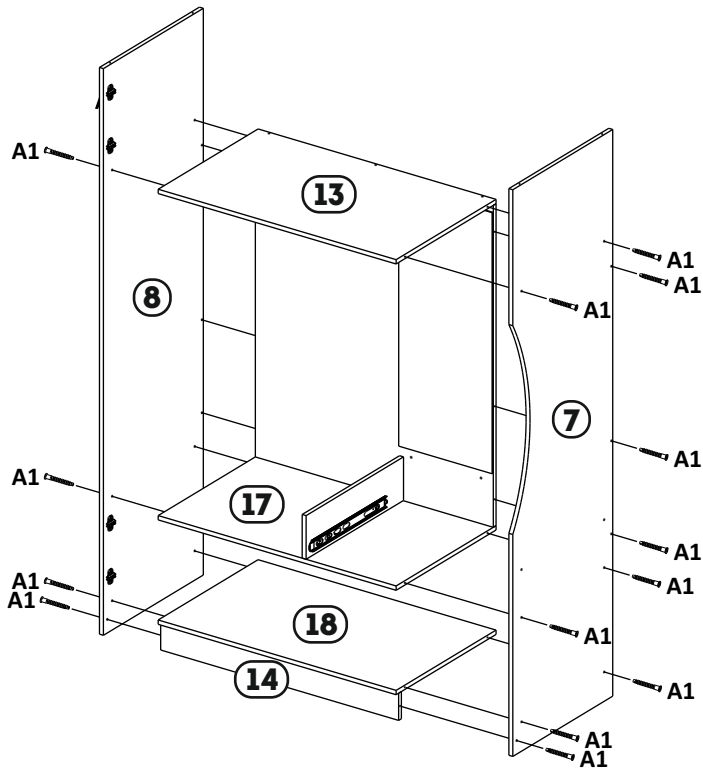
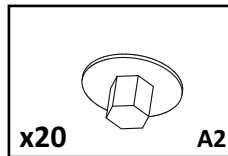
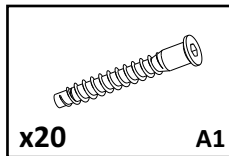


15

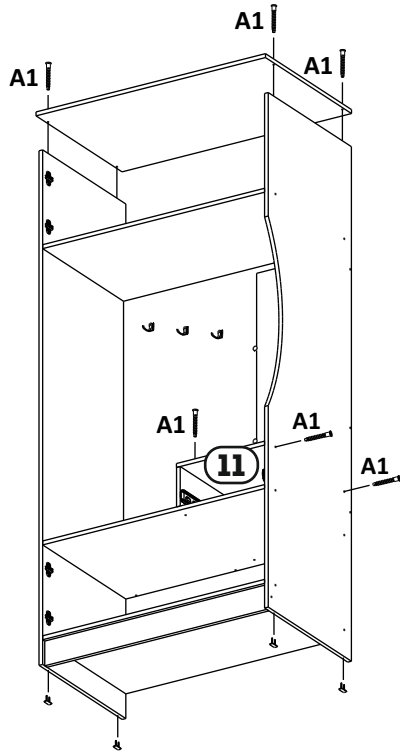
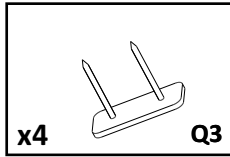
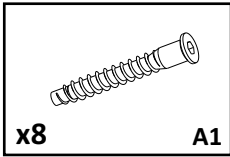
3



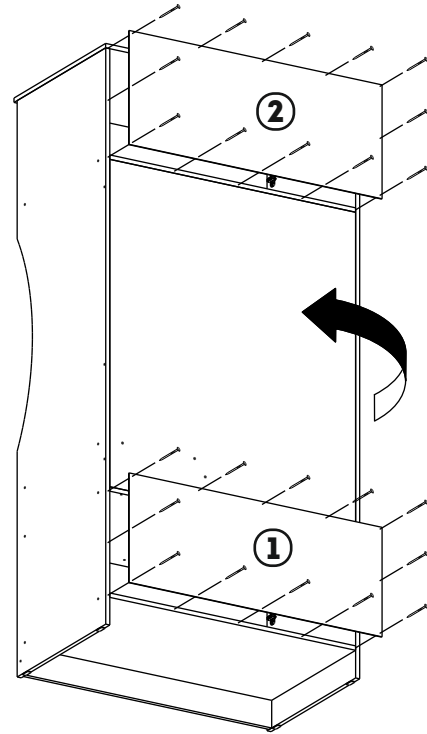
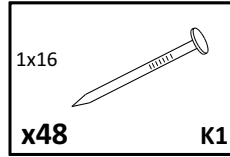
4

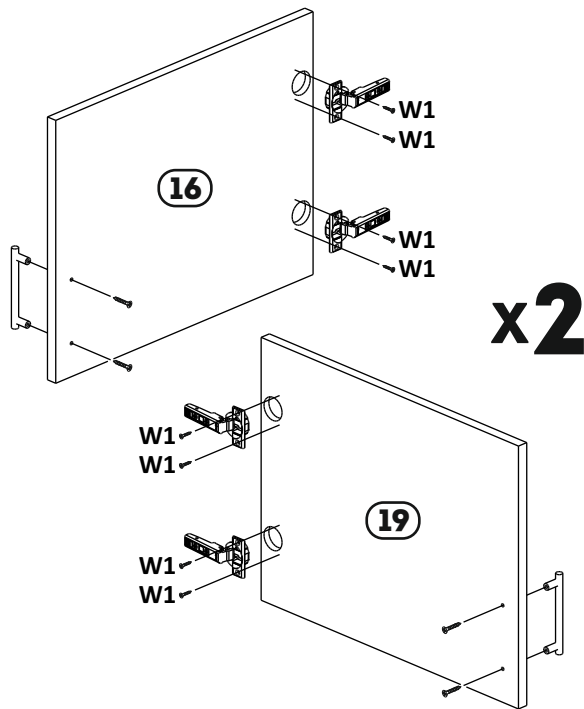
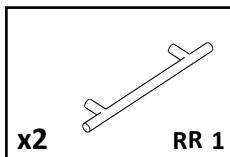
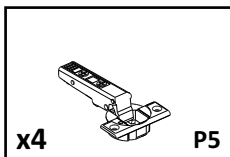
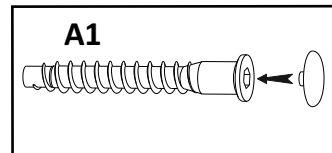
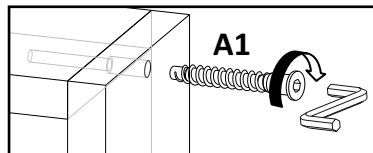
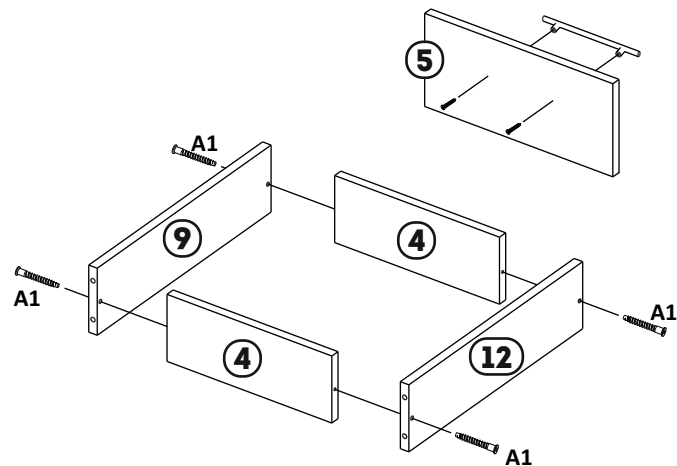
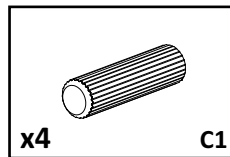
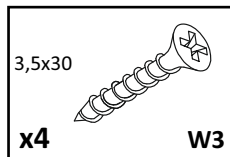


5

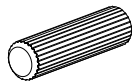


6

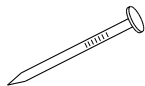
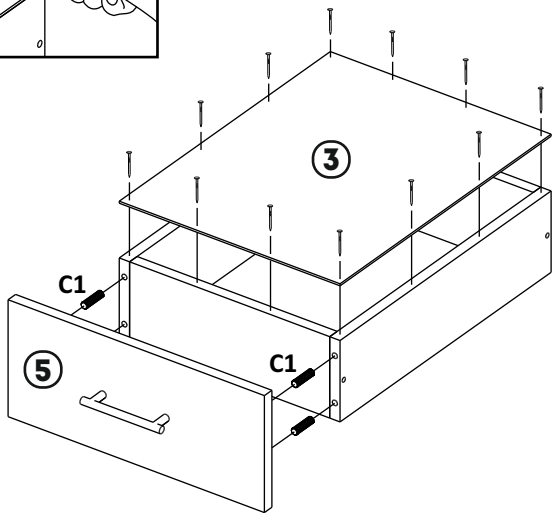
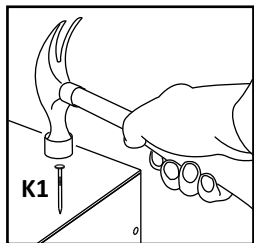


**7****8**

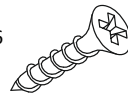


**9****x4****C1**

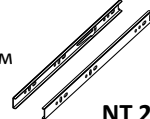
1x16

**x12****K1****10**

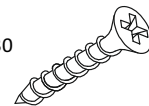
3,5x16

**x4****W1**

400 mm

**x1****NT 2**

3,5x30

**x4****W3**